

POS



POS-3520

The One-of-a-kind Highly Integrated 15" POS Terminal

Features and Benefits:

- Intel® Atom™ Pineview D525 CPU
- 15" LCD display with touch
- Flexible design for versatile applications
- Optional 2"/ 3" easy loading thermal printer
- Optional MSR, i-Button & fingerprint module
- High speed DDR3 Module
- Small footprint
- Streamline design



PROTECH SYSTEMS

It's the right choice

Protech Systems Co., Ltd.

No. 24, Lane 365, Yang Goang Street, Nei Hu District Taipei 114, Taiwan
TEL: +886-2-8751-1111 FAX: +886-2-8751-1199
E-mail: sales@protech.com.tw
<http://www.protech.com.tw>

Protech Technologies Inc.

950 Fee Ana St, Suite B Placentia, CA 92870
TEL: +1-714- 996-7200 FAX: +1-714- 996-7300
Sales: sales@protech-usa.net
<http://www.protech-usa.net>

Protech Japan Co., Ltd.

OSK Bldg, 6F, 6-25-14, Minami-ohi Shinagawa-ku, Tokyo, 140-0013
TEL: +81-3-5753-8411 FAX: +81-3-3763-9282
E-mail: sam@protech-j.com
<http://www.protech-j.com>



ISO CERTIFIED

9001 14001



MSR. i-Button

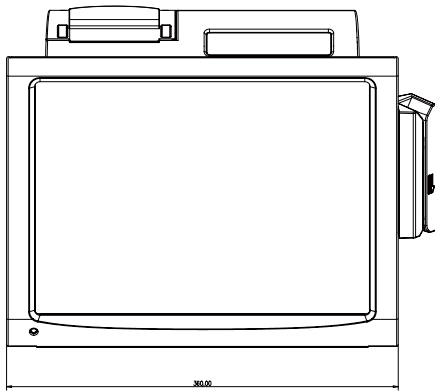


Fingerprint

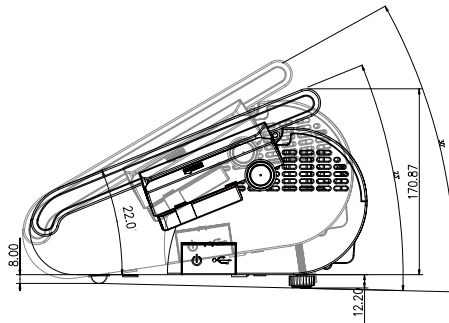
POS-3520

The One-of-a-kind Highly Integrated 15" POS Terminal

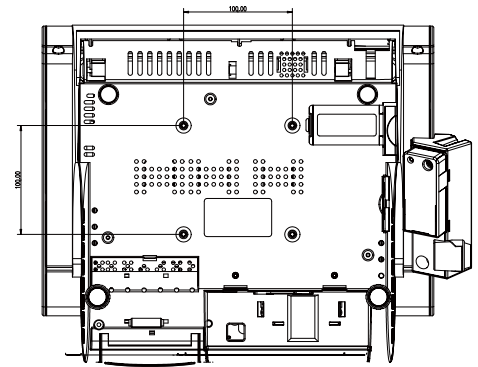
Top View



Side View



Rear View



Unit: mm

Specification

System	
CPU Support	Intel® Atom™ Pineview D525
Memory	2 x DDR3 SO-DIMM Slot, 1G DDR3 SO-DIMM (up to 4GB)
Core Logic	Intel® ICH8M
Network	10/100/1000 Base-T Fast Ethernet
Power Supply	72Watt ~ 120Watt power adapter
System Weight	5.7 kg
Dimension (W x H x D)	356 x 309 x 167 mm (14.02" x 12.17" x 6.57")
O.S. Support	WINXP, POSReady2009, WEPOS, WES2009, WIN7, POSReady7

Storage

HDD	1 x 2.5" SATA HDD
CF	Bootable Compact Flash slot for CF type I/II storages

I/O Ports

USB	5 x USB ports
Serial Ports	3 x DB-9 & 1 x RJ45, +5V/ 12V selectable
PS/2	1 x PS/2 ports (default at keyboard)
LAN	1 x 10/100/1000 Mbps
VGA	1 x DB-15 VGA interface
Audio	1 x 2W speaker

Cash Drawer	1 x RJ11 Cash Drawer port (12V/24V)
Printer	2" or 3" easy loading thermal printer with auto cutter

Display

LCD	15" TFT LCD
Max. Resolution	1024 x 768
Brightness	250 cd/m ²
Touch Screen	5-wire Analog resistive

Environment

EMC & Safety	CE / FCC
Operating Temp.	0 ~ 35° C
Storage Temp.	-20 ~ 60° C
Humidity	20 ~ 90%

Ordering Information

PA-3151RA-A0B	15" POS Terminal with Intel® Atom™ D525 CPU
PA-3100RZ-51B	2 lines, each column is 5 x 7 dots
PA-3151RZ-51B	MSR ID TECH Module(PS/2 KB interface)
PA-3100RZ-81A	Mini PCIe Wireless LAN Module 802.11 b/g
PA-3151RZ-54B	Optional Fingerprint module (USB interface)
Color	Black, white
OS	WINXP, POSReady2009, WEPOS, WES2009, WIN7, POSReady7

All of trademarks and brand names are the property of their owners. Trademark "Protech" is the property of Protech Systems Co., Ltd. All information contained in this document is subject to change without any prior notice. This catalog is copyrighted in May 2012.